

OnlineController portfolio



12.03.2012 Ing. Juraj Kunderát

OnlineController

KKRP01A



Basic features: dimensions: 59 x 64 x 17/21 mm
powered from IU

Ports: Ethernet 10/100B-T on RJ-45 connector
RS-485 Modbus and 12Vdc power on 4-pin screw connector (for wall controller, WiFi client, ...)
S21 serial port cable 1,3 m fixed to KlimeNet, on IU side 5-pin flat connector

Supported: web server (Java version)
web server (html version)
onlinecontroller.eu client
SMS control and fault manag. via server
SNMP agent (SNMP monitoring and fault manag.)
e-mail client (fault e-mail sending)
external Touch LCD wall controller
external Easy wall controller
external weather station
external RS-485 temperature sensor
room temper. measured by Touch LCD / Easy wall
group modes (synchro, back-up/swap)
multiple command using one Touch LCD controller
easy firmware upgrade using self-extracting file
modbus slave mode firmware version supported

Packing includes:

- OnlineController with fixed S21 serial port cable 1,3 m long
- Ethernet patchcord 2 m long
- cable binders – 4 pcs
- quick start manual
- paper case

Installation:

OnlineController can be installed near the indoor unit. The system cable is connected to the IU PCB using 5-pin connector (port S21).

External mounting kit

KKRPM01A



Basic features: no external power needed
max. length of cable between IU and OnlineController:
20 m (UTP/FTP 24 AWG – 5 wires only)
40 m (UTP/FTP 24 AWG – 8 wires full)
150 m (NYY 5x1,5)

Packing includes:

- RS232 amplifier for Indoor unit
- RS232 amplifier for Box
- plastic enclosure with screws
- quick start manual
- paper case

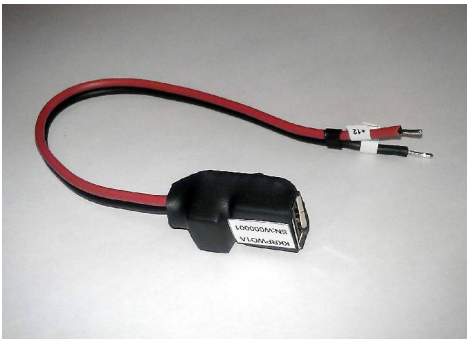
Ports:

amplif. for IU: fixed cable and connector – to port S21 of IU
5-pin screw connector – RS232 port and power for connecting the long cable to the remote mounted OnlineController

amplif. for box: 5-pin screw connector – RS232 port and power for connecting the long cable to the IU
S21 connector on PCB – for connecting Online Controller inside the plastic box

Application:

In cases when OnlineController must be installed far from IU f.e. somewhere on the wall or above the false ceiling...






Description: Cable with integrated voltage converter 12/5V and USB socket for powering external WiFi client (adaptor) directly from OnlineController.

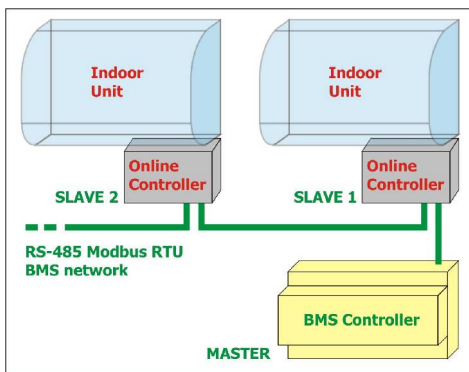
Packing includes:

- power converter cable (12/5V 1A) 50 cm long terminated with USB socket
- cable binders – 2 pcs
- quick start manual
- plastic bag

Recommended WiFi clients/adaptor (to be purchased locally):

Asus 330n3G		6 modes of operation, 3G Internet connectivity if no WiFi is present !	90 x 39 x 13 mm, 5V / 1A, USB micro	35,72 €
Netgear WNCE2001		WiFi client mode only - easy configuration	81 x 62 x 18 mm, 5V / 1A, jack, USB power cable	38,80 €
Tenda W150m		4 modes of operation	103 x 63 x 16 mm, 5V / 1A, USB mini	18,80 €

Modbus RTU SLAVE mode Firmware



Description:

- This is a software free downloadable from www.onlinecontroller.eu. After uploading to the OnlineController device it modifies the modbus functionality (change from master to slave mode).

Application:

- In cases, where central Building Management System (BMS) controls all HVAC devices using a network based on Modbus RTU protocol, the OnlineController can work as adaptor for connecting Daikin split series IU's to Modbus network.

Basic features:

- all functionalities of OnlineController are retained (including web access and server services)
- communication: RS-485, Modbus RTU, baudrate 1k2...115k2, parity E/O/N, stop bit 1/1.5/2, modbus address 1...250
- modbus configuration using web access

Touch LCD wall controller

KBRC01A



wall surface mountable touch LCD
powered from OnlineController
Modbus communication protocol
3,0" b/w touch screen, blue backlight
six colours of the plastic frame
internal room temperature sensor
configurable range of A/C control possibilities

Packing includes:

- Touch LCD
- quick start manual
- paper case

Easy wall controllers

KBRC01A

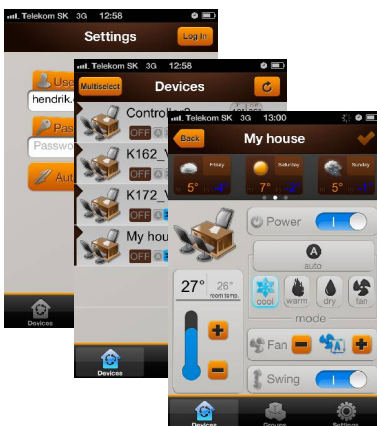


wall surface mountable low-cost controller
powered from OnlineController
Modbus communication protocol
internal room temperature sensor
configurable range of A/C control possibilities
all settings can be set/reset by supervision system
functionalities of LED, button and rotary knob and description on
the panel can be developed and programmed on demand

Packing includes:

- wall controller
- quick start manual
- paper case

iPhone application



Description:

Whole new way to control & monitor your residential indoor units. Ask your Daikin Installer to equip your unit with an Online Controller (KKRP01A) and now you have the option to manage your unit on your iPhone/iPad, no matter where you are!

Basic features:

- Personalize your device by name and a unique icon.
- Create groups to set individual parameters for multiple devices in one tap.
- Check weather conditions and forecasts at unit location.
- Free downloadable from App store